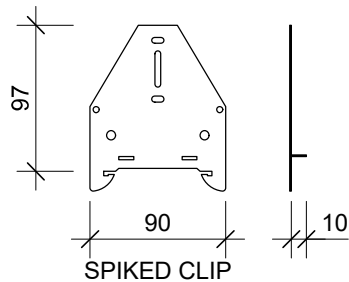
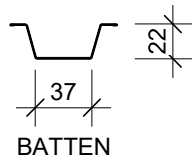
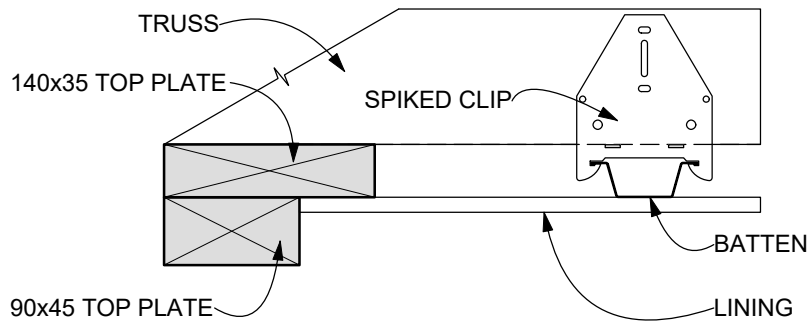
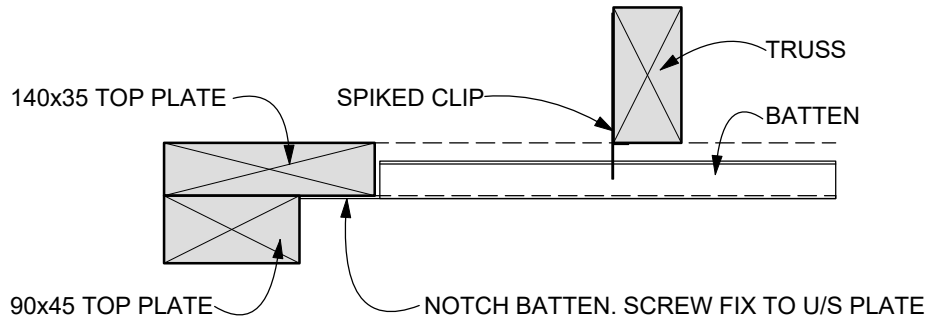


TYPE 1 - FLAT PLANE

TYPE 1 - FLAT PLANE



LEVEL CEILING PLANE WITH SPIKED CLIP AND 140 x 35 TIMBER TOP PLATE PROVIDED.

CEILING HEIGHTS TO BE DETERMINED BY 140 x 35 TIMBER TOP PLATE AND TIMBER TRUSSES.

CEILINGS TO BE NOGGED AT 1200 CENTRES.
450 OR 600 CENTRES.

IF CEILING HEIGHTS OF TIMBER TOP PLATE IS OUT OF PLANE BY MORE THAN APPROXIMATELY 10mm

BUILDING COMPANY OWNER OR SUPERVISOR WILL BE NOTIFIED AND IF REMEDIAL WORK TO LEVEL CEILING

IS REQUIRED THIS WILL BE DONE ON A COST OF \$45.00 PER HOUR PLUS GST. (PLEASE NOTE: THIS IS VERY RARE AND NORMALLY RELATES BACK TO THE FLOOR BEING OUT OF LEVEL)

PLEASE NOTE: ALL SLOPING OR RAKING CEILINGS IS EXTRA

PLEASE NOTE: LINEAL METER RATE FOR CREATING BULKHEADS IS EXTRA FOR BULKHEADS THAT ARE LESS THAN 1LM IN HEIGHT AND 1LM WIDE.