

**INTRODUCING SPL CEILING BATTEN SYSTEM FOR  
RESIDENTIAL AND COMMERCIAL USE**

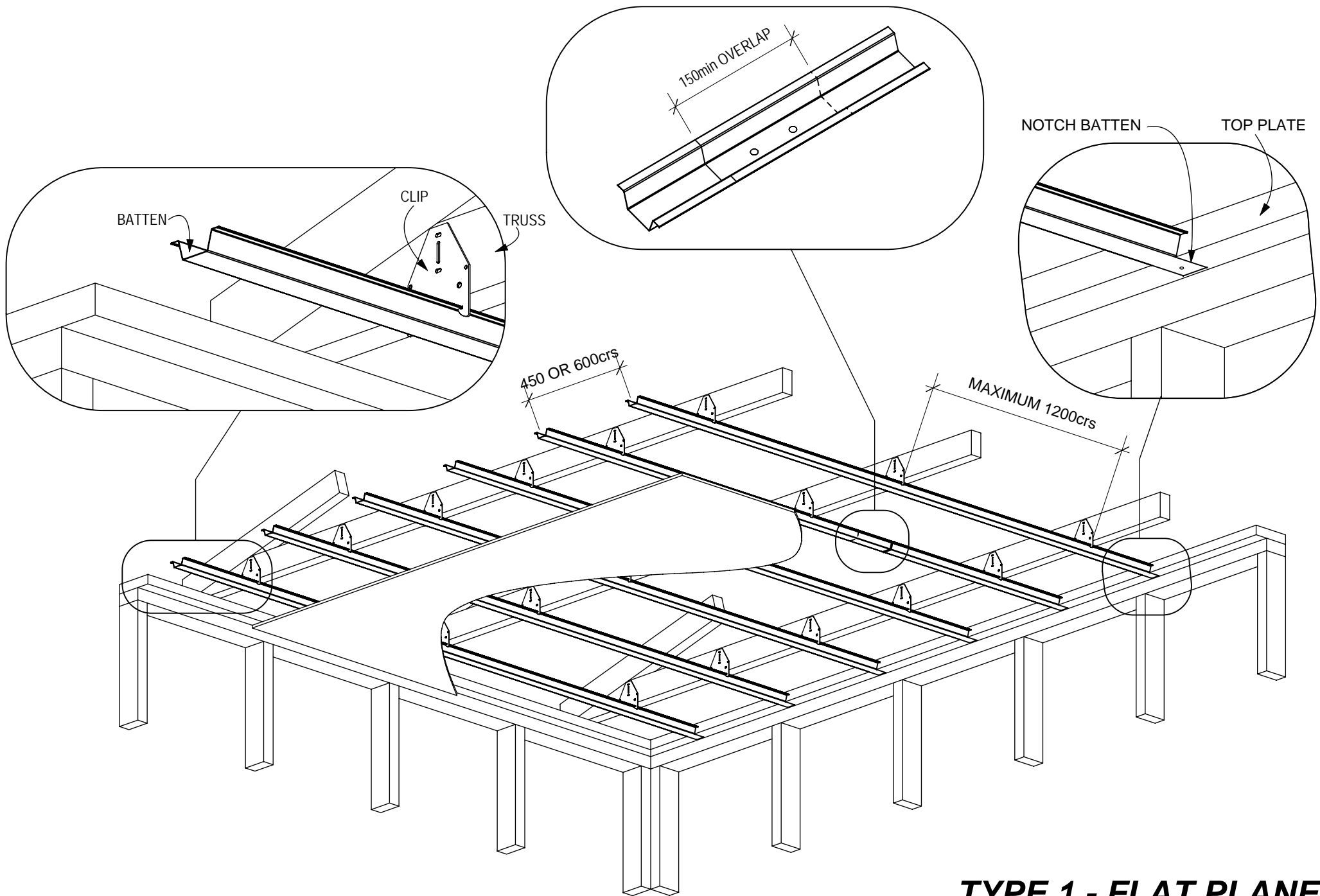
***SPL CEILINGS LIMITED***

**Office Phone Number: 07 560 7276**

**Pricing & Technical Support**  
Please Call Ashley on 027 212 2213  
Email: [ashley@splceilings.co.nz](mailto:ashley@splceilings.co.nz)

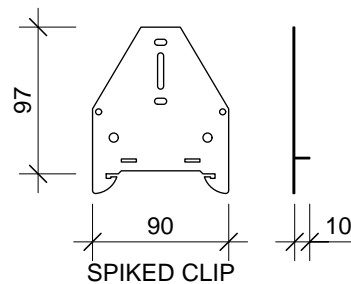
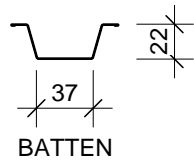
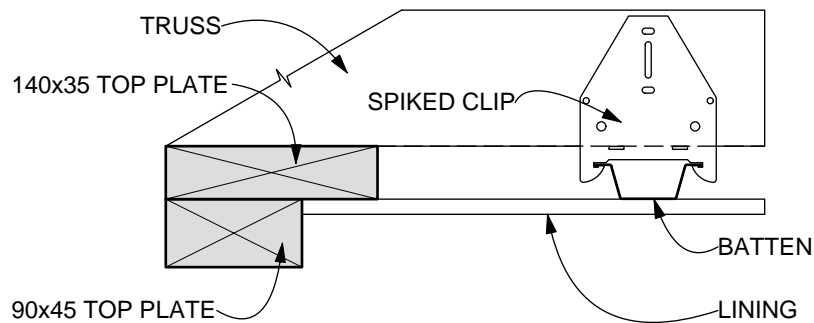
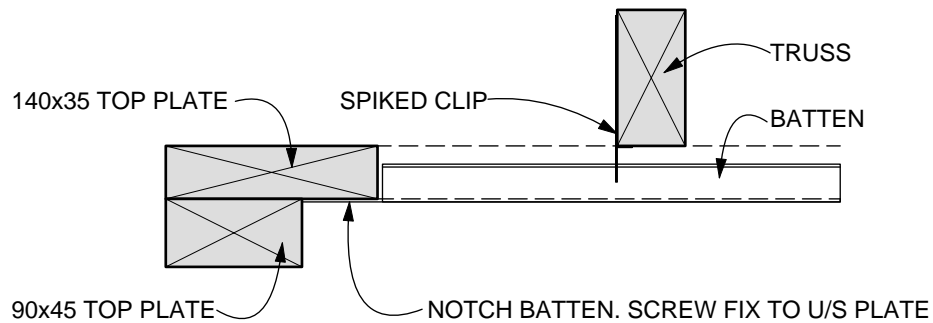
**Sales & Technical Support**  
Please call Peter on 027 2805671  
Email: [peter@splceilings.co.nz](mailto:peter@splceilings.co.nz)

**Orders & Administration**  
Please call Tracy on 027 2805673  
Email: [tracy@splceilings.co.nz](mailto:tracy@splceilings.co.nz)



**TYPE 1 - FLAT PLANE**

# TYPE 1 - FLAT PLANE



LEVEL CEILING PLANE WITH SPIKED CLIP AND 140 x 35 TIMBER TOP PLATE PROVIDED.

CEILING HEIGHTS TO BE DETERMINED BY 140 x 35 TIMBER TOP PLATE AND TIMBER TRUSSES.

CEILINGS TO BE NOGGED AT 1200 CENTRES.  
450 OR 600 CENTRES.

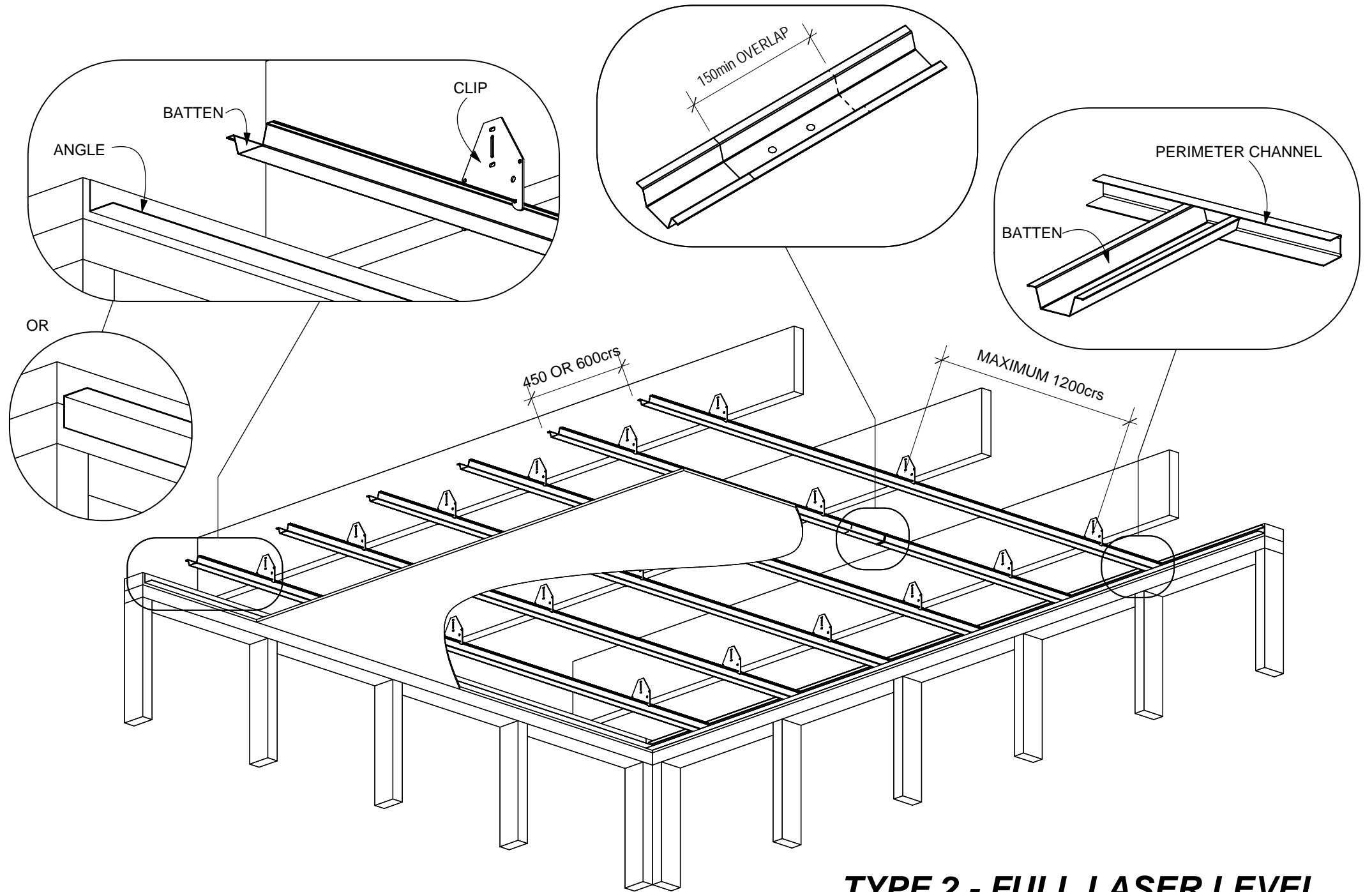
IF CEILING HEIGHTS OF TIMBER TOP PLATE IS OUT OF PLANE BY MORE THAN APPROXIMATELY 10mm

BUILDING COMPANY OWNER OR SUPERVISOR WILL BE NOTIFIED AND IF REMEDIAL WORK TO LEVEL CEILING

IS REQUIRED THIS WILL BE DONE ON A COST OF \$45.00 PER HOUR PLUS GST. (PLEASE NOTE: THIS IS VERY RARE AND NORMALLY RELATES BACK TO THE FLOOR BEING OUT OF LEVEL)

PLEASE NOTE: ALL SLOPING OR RAKING CEILINGS IS EXTRA

PLEASE NOTE: LINEAL METER RATE FOR CREATING BULKHEADS IS EXTRA FOR BULKHEADS THAT ARE LESS THAN 1LM IN HEIGHT AND 1LM WIDE.

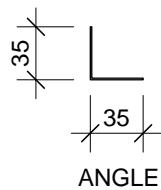
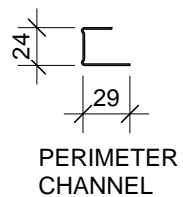
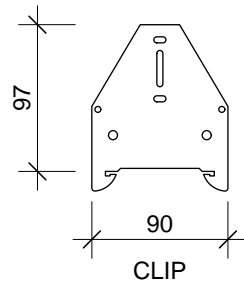
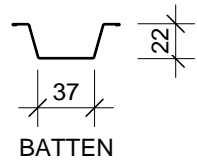
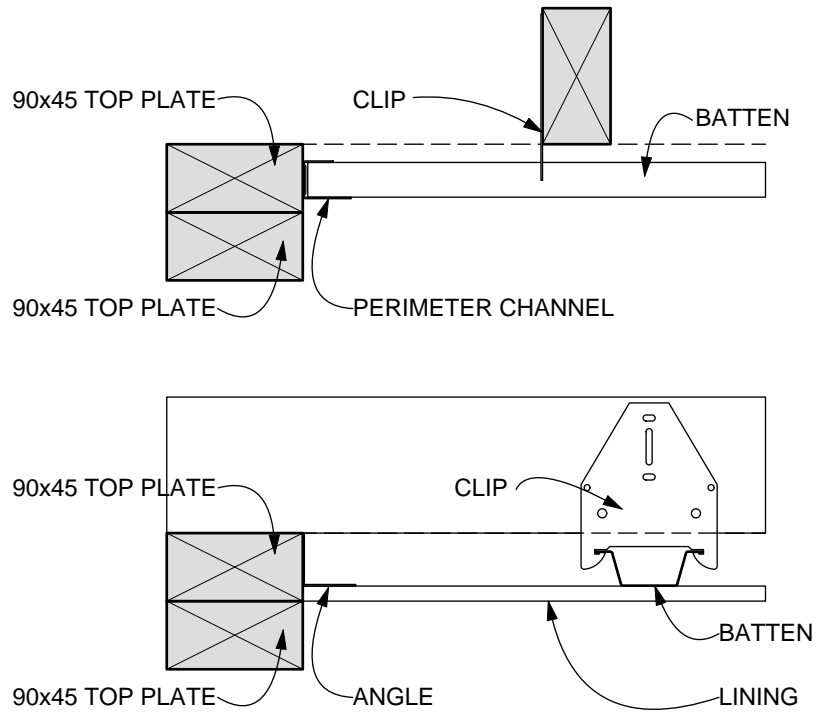


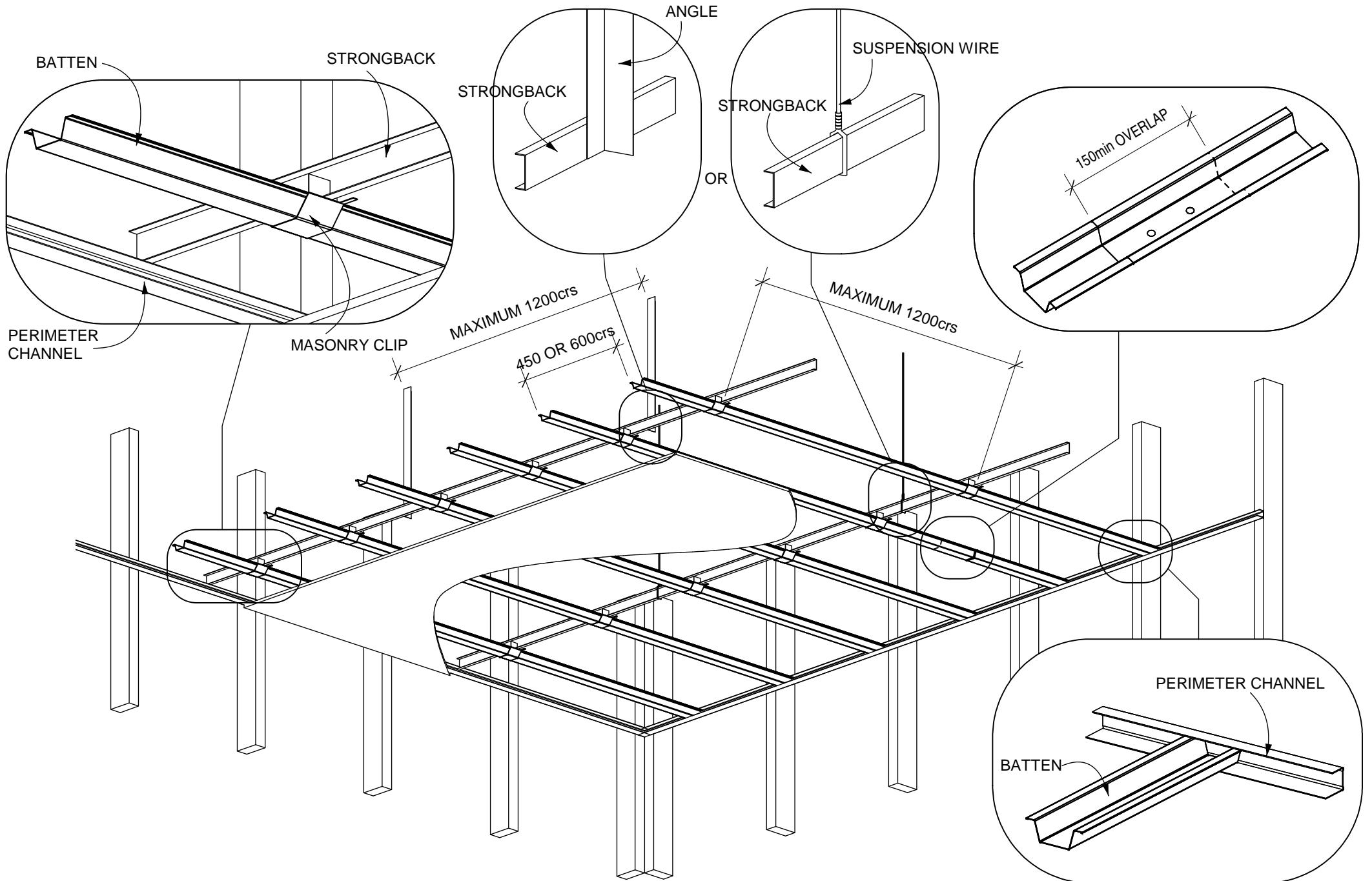
**TYPE 2 - FULL LASER LEVEL**

# TYPE 2 - FULL LASER LEVEL

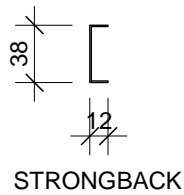
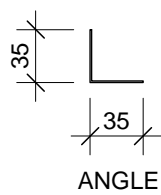
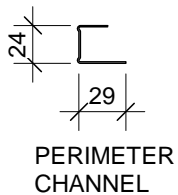
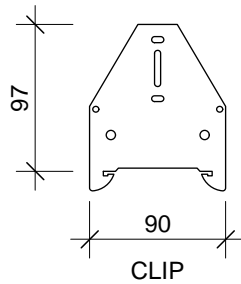
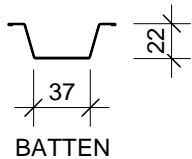
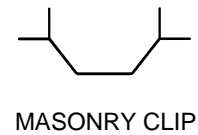
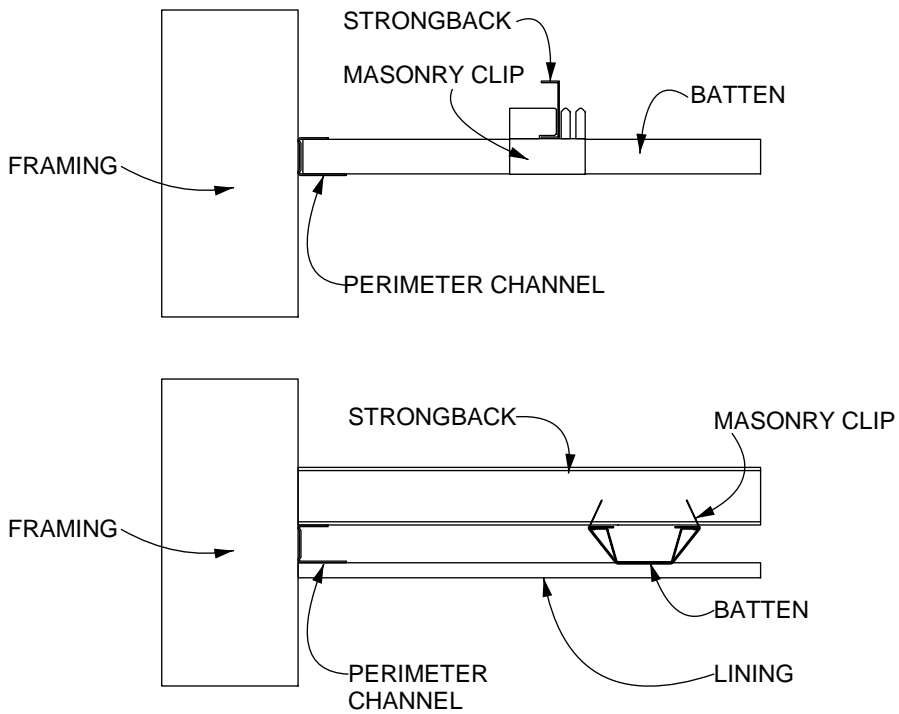
FULL LASER LEVEL WITH 35 x 35 ANGLE OR PERIMETER CHANNEL PROVIDED.  
 CEILING HEIGHTS TO BE DETERMINED BY LASER.  
 CEILINGS TO BE NOGGED AT 1200 CENTRES.  
 450 OR 600 CENTRES.

PLEASE NOTE: ALL SLOPING OR RAKING CEILINGS IS EXTRA  
 PLEASE NOTE: LINEAL METER RATE FOR CREATING BULKHEADS IS EXTRA  
 FOR BULKHEADS THAT ARE LESS THAN 1LM IN HEIGHT AND 1LM WIDE.





**TYPE 3 - FULL SUSPENSION**



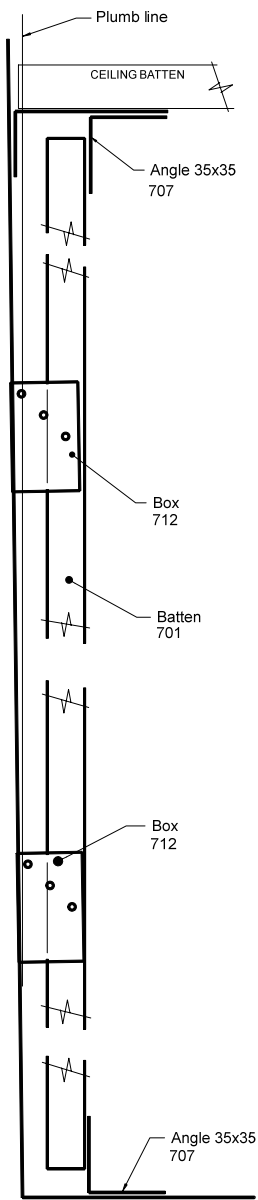
# TYPE 3 - FULL SUSPENSION

FULL SUSPENSION WITH 35 x 35 ANGLE OR PERIMETER CHANNEL PROVIDED.  
 CEILING HEIGHTS TO BE DETERMINED BY LASER.  
 STRONGBACKS AND HANGERS AT 1200 CENTRES.  
 450 OR 600 CENTRES.

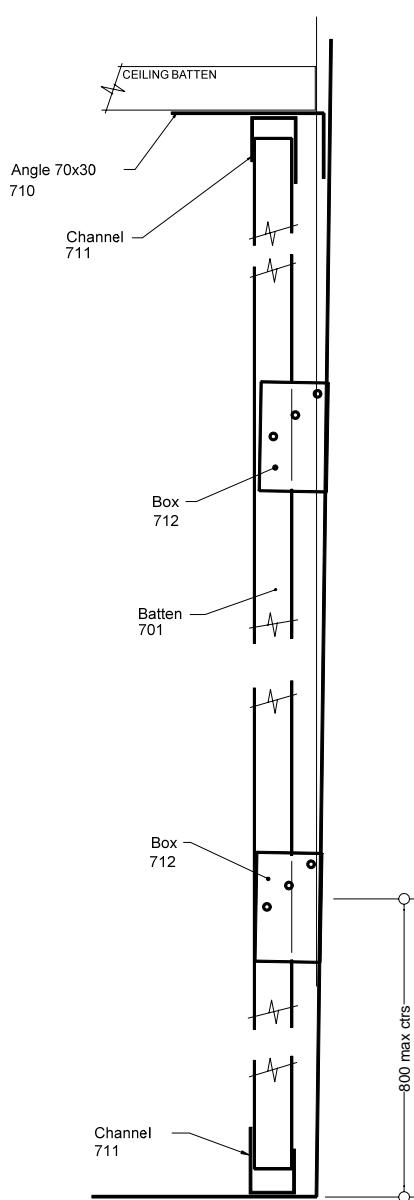
PLEASE NOTE: ALL SLOPING OR RAKING CEILINGS IS EXTRA  
 PLEASE NOTE: LINEAL METER RATE FOR CREATING BULKHEADS IS EXTRA  
 FOR BULKHEADS THAT ARE LESS THAN 1LM IN HEIGHT AND 1LM WIDE.





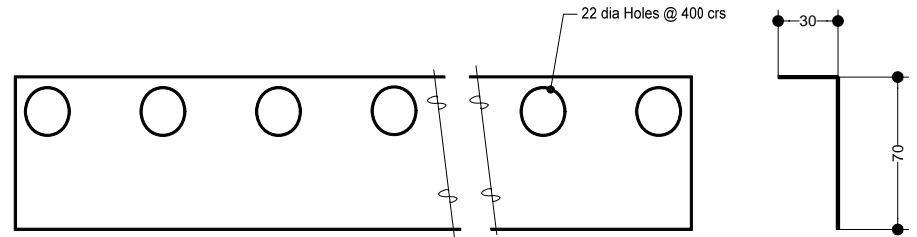


**TYPE 4**  
STANDARD

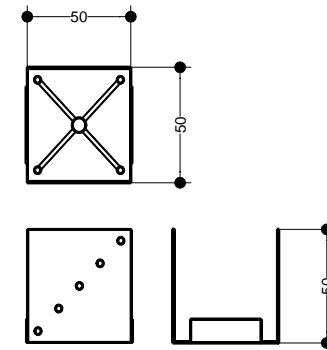


**TYPE 5**  
POLISHED CONCRETE  
VINYL  
TILES

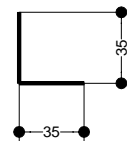
**WALL STRAPPING  
SIDE VIEWS**



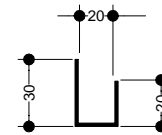
**Angle 70 x 30  
710**



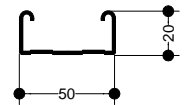
**Box  
712**



**Angle 35 x 35  
707**



**Channel  
711**



**Batten  
701**

**WALL STRAPPING  
COMPONENTS**

## **TECHNICAL DATA**

### **STANDARDS:**

SPL Batten metal ceiling system complies with the following standards:

- **AS/NZS 2785:2000** Suspended Ceilings-Design and Installation
- **NZS 4203:1992** NZ loading standard
- **NZBC Handbook Section B1:**  
Structure  
**Section B2:** Durability for a life not less than 15 years

### **INSTALLATION:**

Installation should be carried out according to AS/NZS 2785:2000 installation of the ceiling battens are to be erected in accordance with the recommended safe load tables set out below. I.e. Type 1 and Type 2

SPL Batten flush suspended ceiling system will provide a flush finish suspended ceiling provided:

- The quality of materials comply with the SPL Batten specification
- The weight of surface flush finish lining does not exceed that shown in the tables.
- The structure above will have sufficient strength to support twice the suspended load to provide resistance to progressive collapse.

### **LININGS:**

SPL Batten ceiling batten system meets the substrate requirements of Winstone Wallboards Ltd.

Note:The system is suitable for ceiling diaphragm situations.

Other Linings compatible with SPL Batten include Villaboard, Harditex and Plywood.

### **STORAGE & HANDLING:**

SPL Batten ceiling battens and clips come in bundled packages for ease of transportation and handling. The product should be stored in a dry area prior to use and care should be taken when handling the product.

**GENERAL:**

SPL Batten products and fittings are manufactured from high grade mild steel at 0.5mm BMT and hot dip galvanized for long term durability.

All sizes are nominal and conform to international manufacturing standards.

Product specifications are correct at time of printing and SPL Ceilings Limited reserves the right to alter specifications without prior notice.

<b>TYPE</b>	<b>LINING</b>	<b>BATTEN SPACING (MM)</b>	<b>SPAN (MM)</b>
LEVEL PLANE TYPE 1	10 STD Gib-Board 10 Ultraline 13 std Gib-Board 13 Noiseline	450	1200
	2 layers 13 Gib-Board	450	1100
	2 layers 13 Noiseline	450	1000
	13 std Gib-Board 13 Noiseline	600	1200
	2 layers 13 Gib-Board	600	1000
	2 layers 13 Noiseline	600	900

<b>TYPE</b>	<b>LINING</b>	<b>BATTEN SPACING (MM) DIMENSION A</b>	<b>STRONGBACK SPACING (MM) DIMENSION B</b>	<b>SUPPORT HANGER SPAN (MM) DIMENSION C</b>
LASER LEVEL FULL SUSPENSION TYPES 1 & 2	10 STD Gib-Board 10 Ultraline 13 std Gib-Board 13 Noiseline	450	1200	1200
	2 layers 13 Gib-Board	450	1000	1200
	2 layers 13 Noiseline	450	900	1200
	10 Ultraline 13 std Gib-Board 13 Noiseline	600	1200	1200
	2 layers 13 Gib-Board	600	900	1200
	2 layers 13 Noiseline	600	800	1200